

SPECIFICATIONS

EMERGENCY

HOUSING

- 20-Gauge steel cabinet
- White powdercoat finish

ELECTRICAL

- Dual 120/277V
- Charge rate/power "On" LED light and push-to-test switch for testing
- Operating Temperature: 10°C - 45°C (50°F - 104°F)

ILLUMINATION

- 9W incandescent lamps standard
- MR16LED Lamps options, see lumen info on page 2

BATTERY

- Maintenance-free, rechargeable sealed lead acid battery
- Internal transfer switch automatically connects battery to lamp heads for 90-minute emergency illumination
- LVD (Low Voltage Disconnect) prevents battery from deep discharge
- Two-rate charger initiates battery charge to recharge in battery in 24 hours
- NiCad Battery also available

MOUNTING

- Can be ceiling or wall mounted
- Conduit knockouts on sides

CODE COMPLIANCE

- cSAus Listed for Indoor Locations
- Meets UL924, NFPA101, NEC, OSHA, Local and State Codes
- BAA Compliant

WARRANTY

- 5 Year

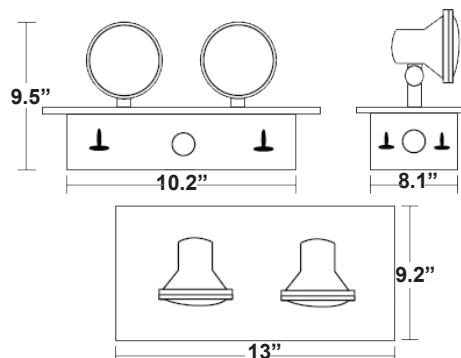


**EM3R-B
Recessed Steel
LED Emergency Unit**

CATALOG#	Description
EM3R-B-6V18	6V, 18W - Sealed Lead Acid Battery, 9W PAR36 lamps
EM3R-B-6V22-NI	6V, 22W - NiCd Battery, 9W PAR36 lamps
EM3R-B-6V27	6V, 27W - Sealed Lead Acid Battery, 9W PAR36 lamps
EM3R-B-6V36	6V, 36W - Sealed Lead Acid Battery, 9W PAR36 lamps
EM3R-B-6V42-NI	6V, 42W - NiCd Battery, 9W PAR36 lamps
EM3R-B-12V27	12V, 27W - Sealed Lead Acid Battery, 9W PAR36 lamps
EM3R-B-12V36	12V, 36W - Sealed Lead Acid Battery, 9W PAR36 lamps
EM3R-B-12V42-NI	12V, 42W - NiCd Battery, 9W PAR36 lamps

OPTIONS (Factory Installed)

BLK	- Black Housing
SD	- Self Diagnostics
TD	- Time Delay (0,5,10,15: 10 minutes standard) - Specify AC Voltage
IA	- Audible Alarm
TC	- Teflon Coated Lamps
LH	- Less Heads
LMR02	- 2W MR16LED Lamp Heads (uses RHBUL heads) - 12V
LMR05	- 5W MR16LED Lamp Heads (uses RHBUL heads) - 6V/12V
LMR07	- 7W MR16LED Lamp Heads (uses RHBUL heads) - 6V/12V
12W	- 12W Incandescent Lamps (9W standard) - 12V
18W	- 18W Incandescent Lamps (9W standard) - 12V



LUMEN INFORMATION

LAMP	VOLTAGE	LUMEN/LAMP
9W Incandescent	6V	47 Lms
	12V	61 Lms
12W Incandescent	12V	53 Lms
18W Incandescent	12V	53 Lms
2W MR16 LED	12V	184 Lms
5W MR16 LED	6V	472 Lms
	12V	589 Lms
7W MR16 LED	6V	647 Lms
	12V	647 Lms

SPACING GUIDELINES

Lamp	3' Wide Egress Path	
	Mounting Ht.	Unit to Unit (ft)
5W LED	7.5'	60'