

SPECIFICATIONS

EMERGENCY

HOUSING

- With an AC power failure, cover doors open instantly and provide emergency lighting to area required with automatic retraction when AC power is restored
- Steel backbox, aluminum housing

ELECTRICAL

- Dual 120/277
- Charge rate/power "On" LED light and push-to-test switch for testing
- Operating Temperature: 10°C - 45°C (50°F - 113°F)

ILLUMINATION

- (2) 9W LED MR16 Lamps (736 Lumens/lamp)
- 60,000 Hour lamp life

BATTERY

- Maintenance free sealed lead acid battery; NiCd battery also available
- Unit will operate for a minimum of 120 minutes in the event of a power failure.
- 24 hours or less recharge time
- Low Voltage Disconnect standard to prevent deep battery discharge

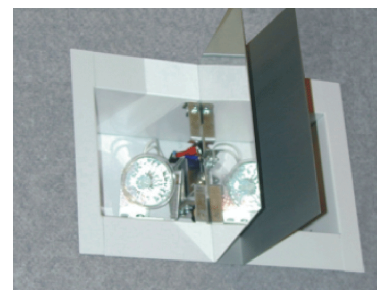
MOUNTING

- Universal wall or ceiling mount

CODE COMPLIANCE

- cETLus Listed for Indoor Locations
- Meets UL924, NFPA101, NEC, OSHA, Local and State Codes
- BAA Compliant

WARRANTY



RTEM

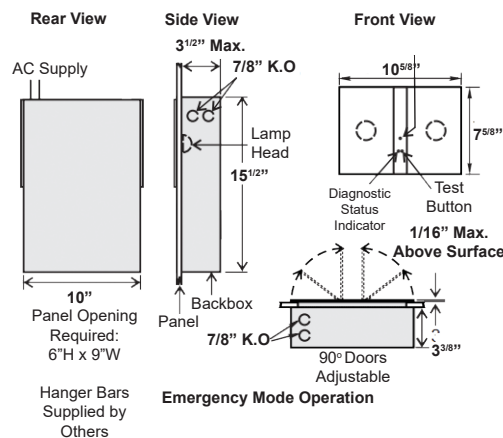
LED Recessed Steel AC or Emergency Unit

ORDERING INFORMATION

CATALOG#	Description
RTEM-9L	(2) 9W LED MR16 Lamps, AC Operation 120/277V
RTEM-9L-EM	(2) 9W LED MR16 Lamps, Sealed Lead Acid Battery
RTEM-9L-NI	(2) 9W LED MR16 Lamps, NiCad Battery
RTEM-9L-EM-RK	Retrofit Kit, replaces everything except original backbox
RTEM-9L-NI-RK	Retrofit Kit, replaces everything except original backbox

OPTIONS (Factory Installed)

RTP	- Remote Test Panel (emergency models only)
DL	- Damp Location
TD	- Time Delay (specify delay in seconds)
SM	- Surface Mount
NCL	- Natatorium Paint Finish
CC	- Custom Color



Wall/Ceiling Surface Mount Emergency Mode

