

SPECIFICATIONS

STATE SPECIFIC

HOUSING

- Durable 20-gauge steel housing
- White powdercoat finish

ELECTRICAL

- 6VDC
- Operating Temperature: 0°C - 50°C (32°F - 122°F)

ILLUMINATION

- 1.5W LED lamp heads (200 Lumens/head)
- 5000K
- 22° Beam angle

MOUNTING

- Surface ceiling or wall mount

CODE COMPLIANCE

- UL Listed for Damp Locations
- Meets UL924, NFPA 101, Life Safety Code, NEC, OSHA, Local and State Codes
- Meets City of Chicago requirements

WARRANTY

- 5 Year

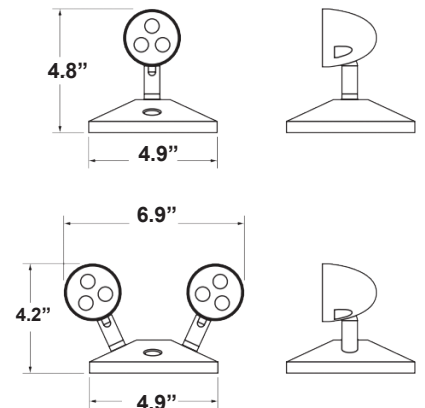


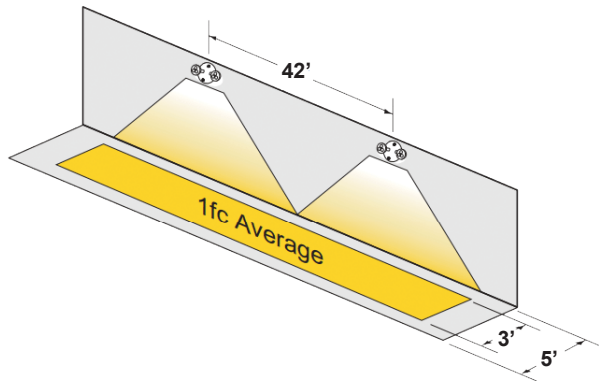
CLED-RH
Chicago Approved
Remote Head

ORDERING INFORMATION

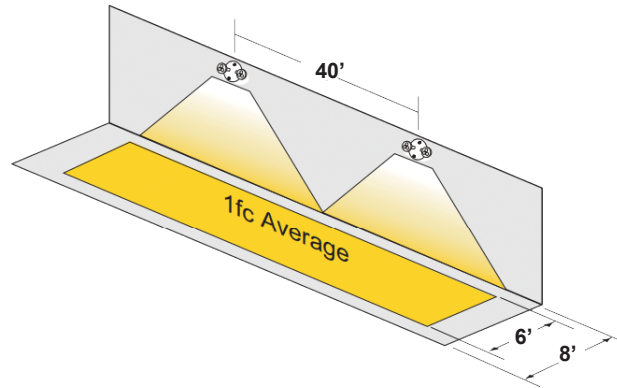
CATALOG#

- CLED-RH1-E
- CLED-RH2-E





Using multiple CLED-RH units mounted at a typical 7.5' height delivers 42' on-center spacing with a 3' wide path of egress using 80/50/20 reflectances



Using multiple CLED-RH units mounted at a typical 7.5' height delivers 40' on-center spacing with a 3' wide path of egress using 80/50/20 reflectances