

SPECIFICATIONS

EXITS

HOUSING

- Extruded aluminum housing
- Available in white, black, or aluminum housings
- Chevrons are field installable

ELECTRICAL

- Dual 120/277V
- Optional 208/220/240V available
- Charge rate/power "On" LED light and push-to-test switch for testing
- Standard Operating Temperature: 0°C - 50°C (32°F - 122°F)

ILLUMINATION

- Ultra bright, energy efficient red or green LEDs
- Clear acrylic edgelit panel (single face), silver and white mylar acrylic panels (single and double faces)

BATTERY

- 4.8V Maintenance-free, rechargeable NiCad battery
- Internal transfer switch automatically connects battery to LED board for 90-minute emergency illumination
- LVD (Low Voltage Disconnect) prevents battery from deep discharge
- Two-rate charger initiates battery charge to recharge in battery in 24 hours

MOUNTING

- Mounting canopy included for top, end, or back mount

CODE COMPLIANCE

- UL Listed for Damp Locations
- Meets UL924, NFPA101, NEC, OSHA, Local and State Codes
- CEC Title20 Certified
- Assembled in America (under the Buy American Act) available

WARRANTY

- 5 Year

ORDERING INFORMATION

MODEL#	# Faces / Letter/ Panel	Housing
EDG	1RC (1 Face, Red Letters, Clear Panel)	A (Aluminum)
	2RS (2 Face, Red Letters, Mirror Panel)	W (White)
	2RW (2 Face, Red Letters, White Panel)	B (Black)
	3RS (1 Face, Red Letters, Mirror Panel)	
	3RW (1 Face, Red Letters, White Panel)	
	1GC (1 Face, Green Letters, Clear Panel)	
	2GS (2 Face, Green Letters, Mirror Panel)	
	2GW (2 Face, Green Letters, White Panel)	
	3GS (1 Face, Green Letters, Mirror Panel)	
	3GW (1 Face, Green Letters, White Panel)	

Options (Factory Installed)

EM	- NiCad Battery
SD	- Self Diagnostics (requires EM)
USA	- Assembled in USA
SWXE	- Special Wording Panel (prefix to part number)
SV	- 208/220/240V, 50/60Hz (not available with SD)
2AC120	- Dual Circuit with 120V Input (AC only)
2AC277	- Dual Circuit with 277V Input (AC only)

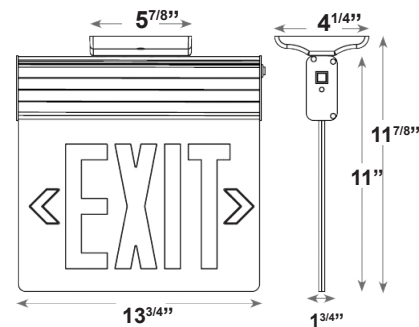
Accessories (Order Separately, Ships on Side)

ZZ-CANOPYPK-EDG-BA	- Aluminum Canopy (black standard)
ZZ-CANOPYPL-EDG-WH	- White Canopy (black standard)
ZZ-ENDCAP-BA-AC	- Aluminum Endcaps for AC Models*
ZZ-ENDCAP-BA-EM	- Aluminum Endcaps for EM Models*

*Black and Aluminum models come with black, White models come with white



EDG
Surface Mount
Edgelit Exit



ELECTRICAL INFORMATION

Catalog #	Input Watts (W)					Input Amps (A)				
	120V	208V	220V	240V	277V	120V	208V	220V	240V	277V
EDG EDG-EM EDG-SV EDG-EM-SV	3.6	3.9	3.93	3.98	4.0	0.030	0.022	0.022	0.020	0.020
EDG-2C EDG-EM-SD	3.6	-	-	-	4.0	0.030	-	-	-	0.020