

**SPECIFICATIONS**

**EXITS**

**HOUSING**

- Extruded aluminum housing (surface mount), Steel housing (recessed)
- Available in aluminum, white, or black finishes
- Unit can be ordered as surface mount (ceiling/wall) or recessed (ceiling/wall)
- Exits come with single and double face configurations, field selectable
- Chevron indicators are field selectable

**ELECTRICAL**

- Dual 120/277, 60Hz
- Charge rate/power "On" LED light and push-to-test switch for testing
- Operating Temperature: 5°C - 40°C (41°F - 104°F)
- 5W or less energy consumption

**ILLUMINATION**

- Ultra bright, energy efficient red or green LEDs
- Clear or silver mylar acrylic panels
- 2.5W LED Lamps standard (400 Lumens/lamp)
- 1.5W LED lamps provided on SD models (250 Lumens/lamp)

**BATTERY**

- Maintenance-free, rechargeable NiMH battery (EM models)
- Internal transfer switch automatically connects battery to LED board for 90-minute emergency illumination
- LVD (Low Voltage Disconnect) prevents battery from deep discharge
- Two-rate charger initiates battery charge to recharge in battery in 24 hours

**MOUNTING**

- Unit can be surface wall, ceiling mount
- Can also be recessed wall, ceiling mount

**CODE COMPLIANCE**

- UL Listed for Damp Locations
- Meets UL924, NFPA101, NEC, OSHA, Local and State Codes
- CEC Title20 Certified

**WARRANTY**

- 5 Year

**ORDERING INFORMATION**

Model#	Finish	Mounting
EDGC-E-UR	A (Aluminum)	RM (Recessed)
EDGC-E-UG	W (White)	SM (Surface)
	B (Black)	

\*Supplied with single (clear) and double (mirror) face panels

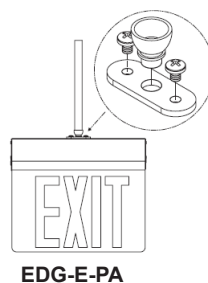
EX: EDGC-E-URA-RM

**Options (Factory Installed)**

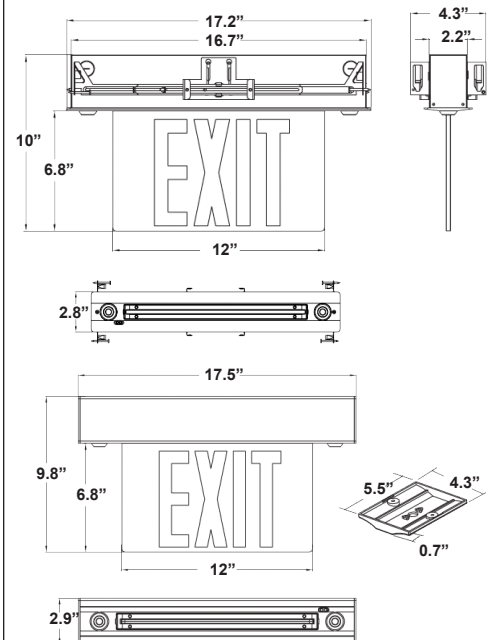
- SD - Self Diagnostics (unit provided with 1.5W LED lamps)
- RC - Remote Capable - Up to 3W

**Accessories (Order Separately, Ships on Side)**

- EDGC-E-3GS-PANEL - Green on Mirror Single Face Panel
- EDGC-E-3RS-PANEL - Red on Mirror Single Face Panel
- EDG-E-PA - Pendant Adapter

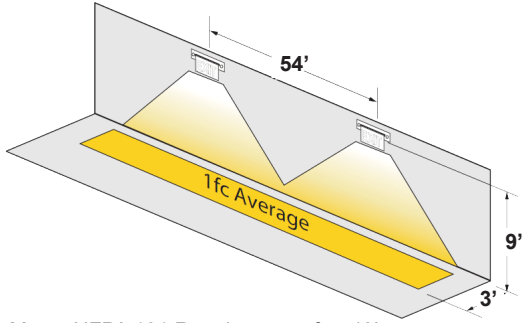


**EDGC-E  
Edgelit Combo**



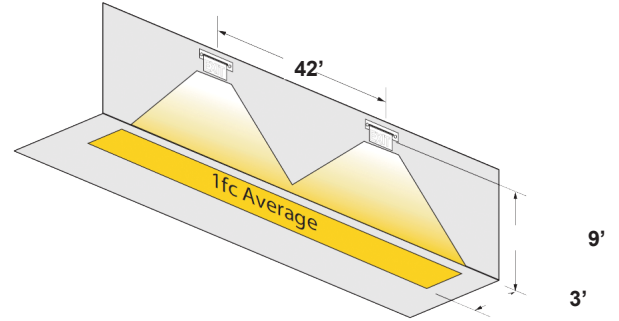
# SPACING GUIDELINES

**EDGC-E**



Meets NFPA 101 Requirements for: 40' on-center spacing - 3' path of egress 1' from wall - 9" mounting height

**EDGC-E-SD**



Meets NFPA 101 Requirements for: 38' on-center spacing - 3' path of egress 1' from wall - 9" mounting height