

SPECIFICATIONS

EMERGENCY

HOUSING

- Injection molded, high-impact resistant, thermoplastic
- Available in gray or black finishes
- Fully gasketed clear polycarbonate cover

ELECTRICAL

- Dual 120/277V
- Charge rate/power "On" LED light and push-to-test switch for testing
- Standard Operating Temperature: 20°C - 40°C (68°F - 104°F)
- CW Operating Temperature: -25°C (-25°F)

ILLUMINATION

- 7.2W MR16 Halogen lamp heads standard (100 Lumens/head)
- LED Option: 3.6W high output LED lamps optional (219 Lumens/head)
- LED-HO Option: 5.0W high output LED lamps optional (346 Lumens/head)
- Adjustable heads

BATTERY

- 6V maintenance-free, rechargeable sealed lead acid battery
- Internal transfer switch automatically connects battery to lamp heads for 90-minute emergency illumination
- LVD (Low Voltage Disconnect) prevents battery from deep discharge
- Two-rate charger initiates battery charge to recharge in battery in 24 hours

MOUNTING

- Unit is wall mounted via knockouts on the back of the housing

CODE COMPLIANCE

- UL Listed for Wet Locations
- Meets UL924, NFPA101, NEC, OSHA, Local and State Codes
- Assembled in America (under the Buy American Act) available
- CEC Title20 Compliance available

WARRANTY

- 5 Year

ORDERING INFORMATION

CATALOG#

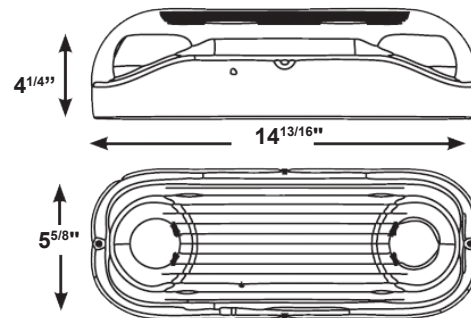
EM16-WL

OPTIONS (Factory Installed)

USA	- Assembled in USA
LED	- 3.6W High Output LED Lamps
LED-HO	- 5.0W High Output LED Lamps
BLK	- Black Housing
CW	- Internal Heater with Battery Blanket (-25°C)
T20	- CEC Title20 Compliance



**EM16-WL
Thermoplastic
Emergency Unit**



ELECTRICAL INFORMATION

Catalog #	Input Watts (W)		Input Amps (A)	
	120V	277V	120V	277V
EM16-WL	6.0	6.2	0.053	0.025
EM16-WL-CW	5.3	6.0	0.050	0.025

SPACING GUIDELINES



1	0.03	0.04	0.05	0.06	0.08	0.13	0.23	0.38	0.40	0.42	0.44	0.40	0.33	0.33	0.36	0.21	0.14	0.14	0.14	0.07	0.06	0.04	0.03	0.02
2	0.03	0.04	0.05	0.07	0.10	0.17	0.43	1.00	0.90	0.90	0.38	0.34	0.47	0.45	0.46	0.39	0.19	0.12	0.10	0.10	0.06	0.05	0.04	0.02
3	0.03	0.04	0.06	0.11	0.13	0.30	1.71	2.20	3.92	2.02	0.35	0.31	0.61	1.65	2.67	1.00	0.45	0.13	0.09	0.07	0.06	0.06	0.04	0.02
4	0.03	0.05	0.06	0.10	0.16	0.95	1.30	4.50	4.80	2.20	0.70	0.53	1.44	4.58	4.53	3.42	0.54	0.15	0.09	0.06	0.04	0.06	0.04	0.03
5	0.04	0.06	0.09	0.17	0.20	1.20	2.82	4.01	3.38	1.30	0.52	0.51	0.60	3.37	4.36	3.05	0.62	0.17	0.09	0.06	0.05	0.05	0.01	0.02
6	0.03	0.05	0.07	0.11	0.17	0.55	1.53	1.97	1.10	0.90	0.43	0.52	0.62	1.20	1.13	1.77	0.59	0.17	0.09	0.04	0.04	0.05	0.05	0.03

EM16-WL

Meets NFPA 101 Requirements for: 14' center-to-center spacing - 3' path of egress 2' from wall - 7^{1/2'} mounting height