



Project

Type

Catalog Number

SPECIFICATIONS

EMERGENCY

HOUSING

- Injection molded, high-impact resistant, thermoplastic housing
- Available in white or black

ELECTRICAL

- 120-77V, 60Hz
- Test button for manual verification of proper operation of transfer circuit and emergency lamps
- Low Voltage Disconnect prevents battery from deep discharge
- Operating Temperature: 10°C (50°F) - 40°C (104°F)

ILLUMINATION

- 1W LED lamp heads standard (90 Lumens/head)
- HO Option: 1.5W high output LED lamps optional (150 Lumens/head)
- Adjustable heads

BATTERY

- Maintenance-free, rechargeable NiCad battery
- Internal transfer switch automatically connects battery to lamp heads for 90-minute emergency illumination
- LVD (Low Voltage Disconnect) prevents battery from deep discharge
- Two-rate charger initiates battery charge to recharge in battery in 24 hours
- Remote Capable Option provides an additional 2W

MOUNTING

- Surface mount via back plate (fits most standard jboxes and snaps into place)
- Suitable for wall or ceiling mount
- I-Beam mounting bracket available to mount to I-beams, poles, or strut metal framing

CODE COMPLIANCE

- cULus Listed for Damp Locations
- Meets UL924, NFPA101, NEC, OSHA, Local and State Codes

WARRANTY

- 5 Year



EM23-E LED Emergency Unit

ORDERING INFORMATION

CATALOG#

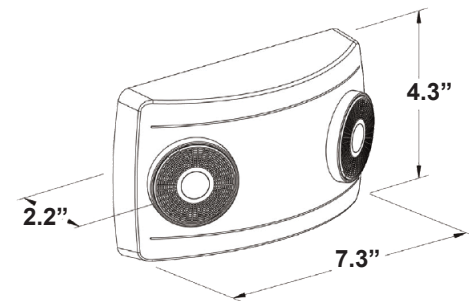
EM23-E

OPTIONS (Factory Installed)

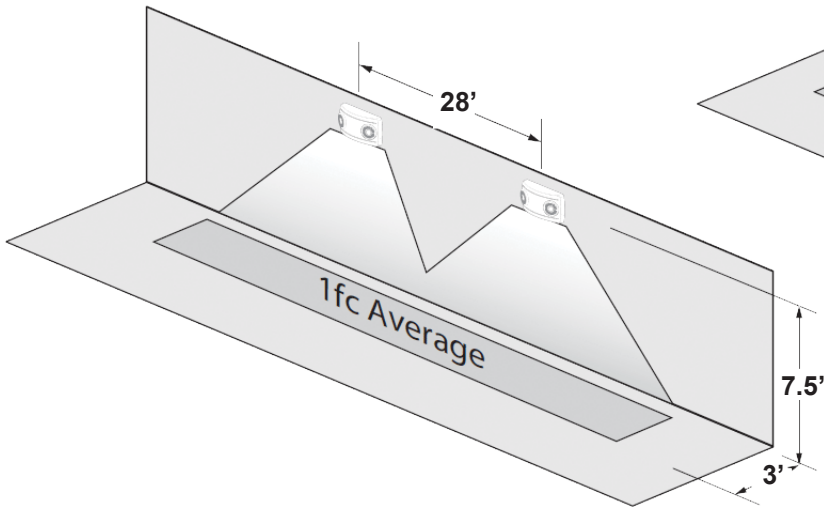
- HO - 1.5W High Output LED Lamps (3W total)
- RC - Remote Capable (has to be ordered with HO option)
- BLK - Black Housing
- SD - Self Diagnostics (not available with EM23-E-BLK models)

ACCESSORIES (Order Separately, Ships on Side)

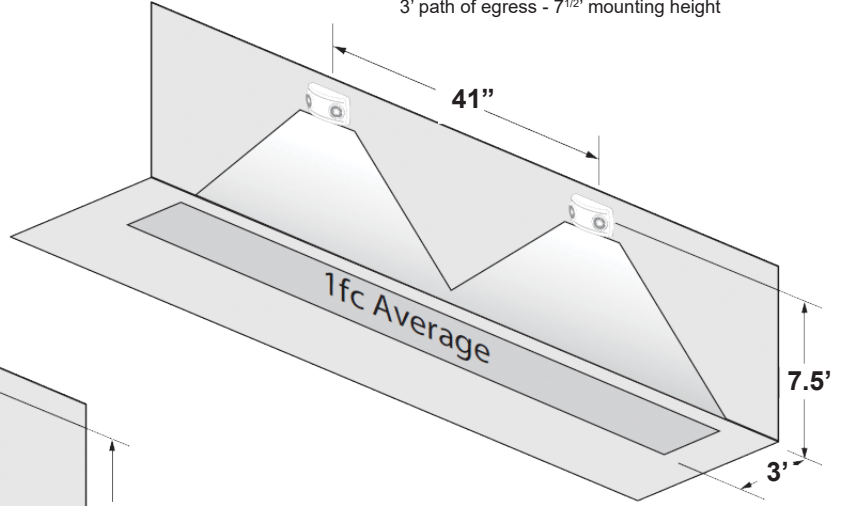
- EM23-MB - I-Beam/Pole Mounting Bracket
- WG-E-S - Wire Guard (back mount)
- EM23-BG - Polycarbonate Guard (back mount)



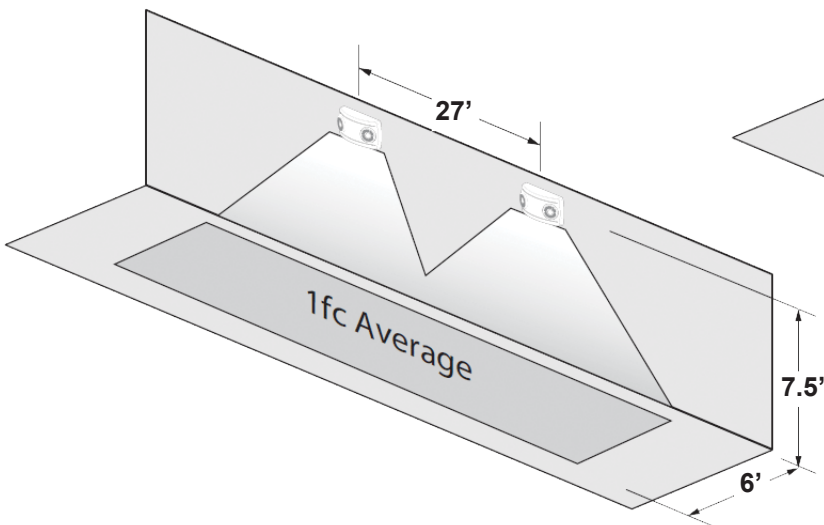
EM23-E
Meets NFPA 101 Requirements for: 28' center-to-center spacing
3' path of egress - 7^{1/2}' mounting height



EM23-E-HO
Meets NFPA 101 Requirements for: 41' center-to-center spacing
3' path of egress - 7^{1/2}' mounting height



EM23-E
Meets NFPA 101 Requirements for: 27' center-to-center spacing
6" path of egress - 7^{1/2}' mounting height



EM23-E-HO
Meets NFPA 101 Requirements for: 41' center-to-center spacing
6" path of egress - 7^{1/2}' mounting height

