



Project

Type

Catalog Number

SPECIFICATIONS

HARSH ENVIRONMENT

HOUSING

- Heavy duty cast aluminum housing
- Stainless steel tamper resistant screws
- Gray finish standard
- Vandal resistant polycarbonate lens

ELECTRICAL

- Dual 120/277V
- Charge rate/power "On" LED light and push-to-test switch for testing
- Standard Operating Temperature: 10°C - 40°C (50°F - 104°F)
- HTR Operating Temperature: -20°C (-4°F)

BATTERY

- Maintenance-free, rechargeable sealed lead acid battery
- Internal transfer switch automatically connects battery to lamp heads for 90-minute emergency illumination
- LVD (Low Voltage Disconnect) prevents battery from deep discharge
- Two-rate charger initiates battery charge to recharge in battery in 48 hours
- NiCad Battery also available

ILLUMINATION

- 5W LED MR16 Lamps standard
- See lumen info on page 2
- Lamp and reflector assemblies are fully adjustable

MOUNTING

- Universal knockout pattern and keyhole slots on back of housing

CODE COMPLIANCE

- cSA Listed for Wet Locations
- NEMA4X Rated
- IP66 Rated
- Sanitation Approved
- Meets UL924, NFPA101, NEC, OSHA, Local and State Codes
- BAA Compliant

WARRANTY

- 5 Year



**RM
NEMA4X
Emergency Unit**

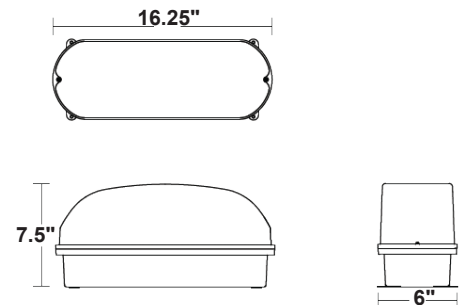
CATALOG#	Description
RM-6V18	6V, 18W - Sealed Lead Acid Battery, 5W LED MR16 Lamps
RM-6V22-NI	6V, 22W - NiCd Battery, 5W LED MR16 Lamps
RM-6V27	6V, 27W - Sealed Lead Acid Battery, 5W LED MR16 Lamps
RM-6V36	6V, 36W - Sealed Lead Acid Battery, 5W LED MR16 Lamps
RM-6V42-NI	6V, 42W - NiCd Battery, 5W LED MR16 Lamps
RM-6V60	6V, 60W - Sealed Lead Acid Battery, 5W LED MR16 Lamps
RM-12V27	12V, 27W - Sealed Lead Acid Battery, 5W LED MR16 Lamps
RM-12V36	12V, 36W - Sealed Lead Acid Battery, 5W LED MR16 Lamps
RM-12V42-NI	12V, 42W - NiCd Battery, 5W LED MR16 Lamps
RM-12V60	12V, 60W - Sealed Lead Acid Battery, 5W LED MR16 Lamps

OPTIONS (Factory Installed)

SD	- Self Diagnostics (includes time delay function, specify 0, 5, 10, 20 minutes)
AM	- Ammeter
VM	- Voltmeter
FA	- Fire Alarm Interface (specify open/dry contact)
IRT	- Infrared Testing
HTR	- Internal Heater (-20°C) - specify 120V or 277V
MTS	- Magnetic Test Switch
LMR02	- 2W MR16LED Lamps (5W standard) - 12V
LMR07	- 7W MR16LED Lamps (5W standard) - 6V/12V
MR20	- 20W MR16 Halogen Lamps (5W LED standard) - 12V

ACCESSORIES (order separately, ships on side)

IRT-R	- Controller for IRT
WG6	- Wireguard



LUMEN INFORMATION

LAMP	VOLTAGE	LUMEN/LAMP
20W MR16	12V	151 Lms
2W MR16 LED	12V	184 Lms
5W MR16 LED	6V	472 Lms
	12V	589 Lms
7W MR16 LED	6V	647 Lms
	12V	647 Lms

SPACING GUIDELINES

Lamp	3' Wide Egress Path	
	Mounting Ht.	Unit to Unit (ft)
5W LED	7.5'	60'