



Project

Type

Catalog Number

SPECIFICATIONS

EXITS

HOUSING

- Injection-molded high-impact resistant polycarbonate
- Available in white housing
- EZ snap out chevron directional indicators
- Silicone gasketed

ELECTRICAL

- Dual 120/277V
- Charge rate/power "On" LED light and push-to-test switch for testing
- Standard Operating Temperature: 0°C - 40°C (32°F - 104°F)

ILLUMINATION

- Ultra bright, energy efficient red or green LEDs
- 1.17W LED Lamp heads (85 Lumens/head)
- Adjustable heads

BATTERY

- Maintenance-free, rechargeable NiMH battery
- Internal transfer switch automatically connects battery to LED board and lamps for 90-minute emergency illumination
- LVD (Low Voltage Disconnect) prevents battery from deep discharge
- Two-rate charger initiates battery charge to recharge in battery in 24 hours
- Remote Capability (1W) optional

MOUNTING

- Unit can be wall or end mounted

CODE COMPLIANCE

- UL Listed for Wet Locations
- Meets UL924, NFPA101, NEC, OSHA, Local and State Codes
- CEC Title20 Certified

WARRANTY

- 5 Year



**SPWLXC-E
Wet Location
Thermoplastic Combo**

ORDERING INFORMATION

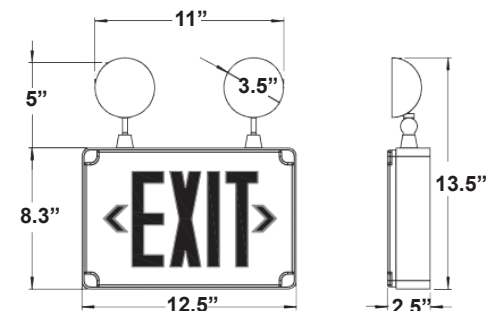
MODEL#	Face #	Letters	Housing
SPWLXC-E	2	R (Red) G (Green)	W (White)

Options (Factory Installed)

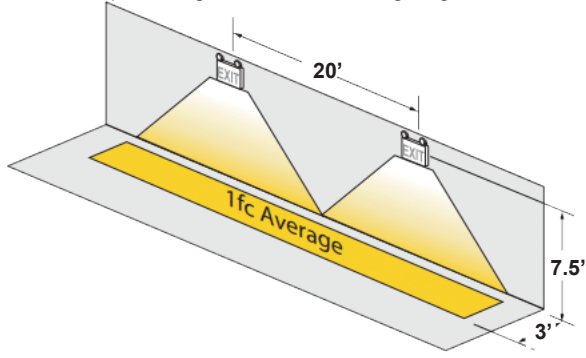
- RC - Remote Capable (1W capacity)

Accessories (Ships on Side)

- WG-E-S - Wire Guard
- BG-E-6 - Polycarbonate Guard



Meets NFPA 101 Requirements for: 20' center-to-center spacing
3' path of egress - 7 1/2' mounting height



Meets NFPA 101 Requirements for: 20' center-to-center spacing
6' path of egress - 7 1/2' mounting height

