



Project

Type

Catalog Number

SPECIFICATIONS

HARSH ENVIRONMENT

HOUSING

- Reinforced polycarbonate housing
- Available in white or black finishes
- Field selectable knockout chevron directional indicators

ELECTRICAL

- Dual 120/277V
- Charge rate/power "On" LED light and push-to-test switch for testing
- NiCad Operating Temperature: 0°C - 50°C (32°F - 122°F)
- Sealed Lead Acid Operating Temperature: 10°C - 40°C (50°F - 104°F)
- Cold Weather Temperature: -20°C - 50°C (4°F - 122°F)

ILLUMINATION

- Ultra bright, energy efficient red or green LEDs
- Impact resistant polycarbonate lens around lamps
- 3.6W MR16 LED Lamps (219 Lumens/lamp)

BATTERY

- 6V/12V Maintenance-free, rechargeable NiCad battery (12W/15W models)
- 6V/12V Maintenance-free, rechargeable Sealed Lead Acid battery (28W models)
- Internal transfer switch automatically connects battery to LED board and lamps for 90-minute emergency illumination
- LVD (Low Voltage Disconnect) prevents battery from deep discharge
- Two-rate charger initiates battery charge to recharge in battery in 24 hours
- Unique bi-color LED indicator light alerts occupant on battery condition (Green-normal, Red-check-battery)

MOUNTING

- Polycarbonate mounting canopy included for top or end mount
- Universal knockout pattern on back plate for wall mount
- Knockouts provided for conduit feed applications

CODE COMPLIANCE

- UL Listed for Wet Locations
- Meets UL924, NFPA101, NEC, OSHA, Local and State Codes
- NEMA4X Rated
- IP66 Rated
- UL Certified to NSF standard

WARRANTY

- 5 Year

ORDERING INFORMATION

MODEL	Face #	Letter	Housing	Voltage/Wattage
XCHA	1	R (Red)	W (White)	6V12W-NI ²
	2	G (Green)	B (Black)	6V15W-NI ¹ 6V28W ¹
				12V12W-NI ²
				12V15W-NI ¹
				12V28W ¹

¹Single Face models only

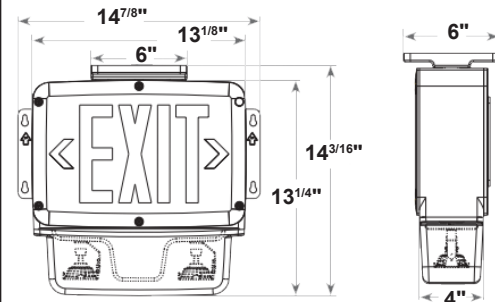
²Double Face models only

OPTIONS (Factory Installed)

CW	- Cold Weather (-20°C - 50°C) 12W/15W models only
SD	- Self Diagnostic
TPS	- Tamper Proof Screws
LH	- Less Heads



**XCHA
NEMA4X Polycarbonate
Exit Combo**



ELECTRICAL INFORMATION

Catalog #	Input Watts (W)		Input Amps (A)	
	120V	277V	120V	277V
XCHA	12	12	0.12	0.05

SPACING GUIDELINES

Model #	Mounting Height (ft)	3' Wide Egress Path		6' Wide Egress Path		Lumens per Head	Head Qty
		Single Unit (ft)	Unit to Unit (ft)	Single Unit (ft)	Unit to Unit (ft)		
XCHA	7.5' Mounting	38'	40'	34'	35'	219	2
	10' Mounting	36'	38'	34'	35'		
	15' Mounting	24'	6'	22'	25'		