



INSTRUCTIONS

IMPORTANT SAFEGUARDS

When using electrical equipment, basic safety precautions should always be followed including the following:

1. **READ AND FOLLOW ALL SAFETY INSTRUCTIONS**
2. Make it sure that breaker switch is OFF before installing the unit.
3. Do not use outdoors
4. Do not let power cords touch hot surfaces.
5. Do not mount near gas or electric heaters.
6. Equipment should be mounted in locations and at heights where unauthorized personnel will not readily subject it to tampering.
7. The use of accessory equipment not recommended by EELP, Inc., may cause an unsafe condition, and will void the unit's warranty.
8. Do not use this equipment for other than its intended purpose.
9. Servicing of this equipment should be performed by qualified service personnel.
10. **SAVE THESE INSTRUCTIONS!**

INSTALLATION

1. Carefully unpack the unit from the box. Pull cover to open the unit.
2. Cut a rectangular hole to the ceiling or wall with the following dimensions 8.05" x 10.65" with a tol. of +/- 1/16".
DO NOT OVERSIZE THE CUT.
3. Knockout the appropriate mounting holes and wire pass-thru holes stamped at the back and sides of the body.
(Figure 1)
4. Extend unswitched 24 hour AC supply of rated voltage to junction box (supplied by others). Leave at least eight (8) inches of slack wire. Circuit should not be energized at this time.
5. Insert the cabinet inside the rectangular cut you made in step 2. Secure the body using cable or chain or mounting it against the wall using wood or concrete screws.
6. Connect AC supply as per diagram provided (Figure 2).
CAUTION! Failure to insulate unused wire may result in a shock hazard or unsafe condition as well as equipment failure.
7. Uncoil the wire lead(s) from the positive circuit board terminal (+) and connect to the positive terminal connector on the battery.
8. Replace the cover by inserting the two springs into the space provided inside the body.
9. Turn on the AC Voltage supply.
10. Position lamps/heads to provide best lighting distribution by loosening head set screws to adjust angle and swivel. Manually rotate or twist head to desired position then tighten set screws to lock position.

Figure 1

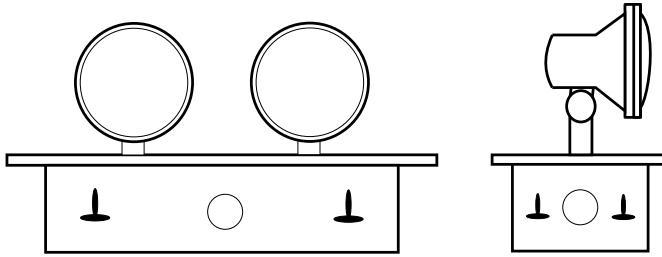
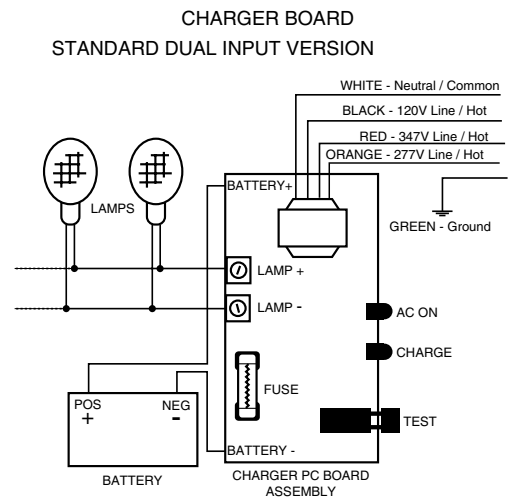


Figure 2



MAINTENANCE

1. Code requires that the equipment be tested every 30 days for 30 seconds, and that written records be maintained. Further, the equipment is to be tested once a year for the required duration as per Code. The battery is to be replaced or the equipment repaired whenever the equipment fails to operate as intended during the duration test. Written records of test results and any repairs made must be maintained. EELP, Inc. strongly recommends compliance with all Code requirements.
2. Clean lenses on a regular basis.
NOTE: The servicing of any parts should be performed by qualified service personnel only. The use of replacement parts not furnished by EELP, Inc., may cause equipment failure and will void the warranty.